



The most stylish and long-lasting residential side-post umbrella on the market today



## SIDE POST DESIGN

The original Shademakers Sola set the benchmark for cantilever umbrellas when it was designed by Kiwi Yachtsman Captain Russell Bond more than 10 years ago. A world-class combination of design and functionality resulted in the Sola being exported to over 35 countries. Technically refined, this rotating and tilting residential side post umbrella has an elegant look with a sporty, nautical flair. It's the perfect choice to complement your pool, deck or patio setting. Without a doubt, the Sola is the most stylish and long-lasting residential side post umbrella on the market today.

### the advantages

- Marine-grade materials guarantee longevity of your patio umbrella
- Anodized aluminium means no rust, no paint to flake
- Large sizes and elimination of centre post provide maximum space and shade
- Unique, "fool-proof" rotational locking mechanism, canopy easy to raise and lower
- Rotates 360° follow the sun and shade a large area with only one patio umbrella!

- Tilts to block out early morning and late afternoon sun
- Tilting function provides additional privacy as it creates a "wall" of shade
- Vented canopy facilitates airflow and stabiliser straps provide greater stability in wind
- Folds into a compact vertical format, easily removed for seasonal storage
- Due to its light weight (approx. 28 kg), the Sola side post umbrella can be set up for multiple location usage
- Design features enable ease of installation and maintenance by homeowner or handyman

### the components

- Proprietary Du Pont glass filled, UV resistant resin components
- Marine-grade stainless steel components
- Unique nautical-grade buttons hold canopy to arms

### the mast and frame

- Marine-grade, 20 micron anodized mast has shape & strength of a yacht mast
- Proprietary oval-shaped arms, exclusively designed connectors and central hubs
- Easy fitting to concrete or wood deck with spigot, optional in ground fitting available
- Innovative external winder mechanism with internal treated, galvanized cables

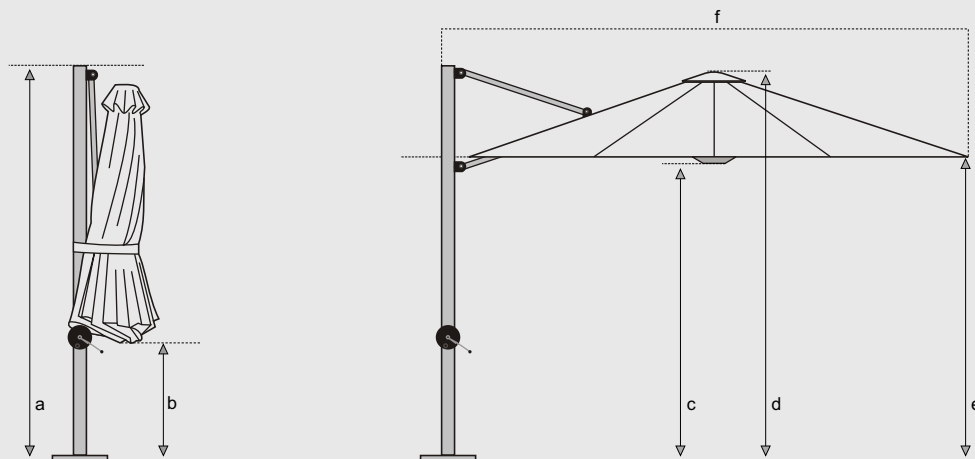
### the canopy

We only use premium European outdoor fabrics which have been tested in the harsh NZ climate. Our 100% acrylic canvas is teflon-coated and guaranteed for 5 years against fade, rot and material breakdown. The superior coating is highly water-repellent and all threads are marine grade and UV resistant. We have more than 50 stunning solid colours, stripes and one-of-a-kind patterns available.

### optional accessories

Includes cover bags, valances, special fabrics, multi-location base plates and movable bases available.





## Dimensions

\*all measurements are rounded and are subject to change.



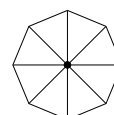
27sq



30oct



34oct



38oct

## Dimensions of closed umbrella

a: Mast height (cm)	280	270	280	280
b: Distance from spokes to ground (cm)	700	930	900	830

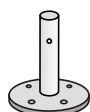
## Dimensions of open umbrella

c: Height to canopy hub (cm)	200	200	210	210
d: Total height to top of canopy (cm)	260	250	270	270
e: Height to edge of canopy (cm)	220	210	220	220
f: Distance from outside edge of mast to outside edge of canopy (cm)	300	320	350	380
Width of canopy (cm)	270	300	340	380

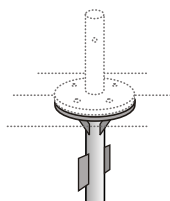
## Packaging dimensions

Dimensions of cardboard packaging (cm)	23x46x287	23x46x287	23x46x287	23x46x287
--	-----------	-----------	-----------	-----------

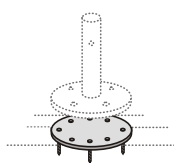
## Base and Installation Options



Spigot



In Ground Fitting - to be concreted into ground



Base Plate 215mm $\varnothing$  - to bolt to concrete patio or wooden deck<sup>2</sup>

## Classic Colour Range<sup>1</sup>

Black R-103



Ecru R-117



Sailor's Navy R-170



Taupe R-127



Smoke Tweed R-770



Toast R-100



1. Fabric colours may vary slightly from printed swatches shown above  
2. Specific suitability to be determined by installer

Your Shade7 Stockist: