



Functionality, low maintenance and strength... commercial cantilever umbrella



## SIDE POST DESIGN

Our original Shademakers Liberty umbrella is a perfect choice for residential and commercial environments. Strength, functionality combined with design and a nautical flair makes the Liberty a popular choice for your resort, cafe, hotel, restaurant or simply next to your pool at home. Designed by Kiwi Yachtsman Captain Russell Bond, the Liberty has been exported to over 35 countries and is built to withstand the harshest climates.

### the advantages

- Marine-grade materials guarantee longevity
- Anodized aluminium means no rust, no paint to flake
- Large sizes and elimination of centre post provides maximum space and shade
- Unique, "fool-proof" rotational locking mechanism, canopy easy to raise and lower
- Stylish and sporty when in use, unobtrusive when collapsed
- Rotates 360° follow the sun and shade a large area with only one umbrella!
- Vented canopy facilitates airflow and provides greater stability in wind

- Light weight (31 kg) but extremely robust, can handle moderate to strong winds
- Design features enable ease of installation and maintenance by homeowner or handyman
- Only one person needed for assembly. Easily removable for seasonal storage
- Designed for simple removal of entire canopy structure when not in use
- Stainless padlock option available for enhanced security
- Screen printing/branding available

### the components

- Proprietary Du Pont glass filled, UV resistant resin components
- Marine-grade stainless steel components
- Unique nautical-grade buttons hold canopy to arms

### the mast and frame

- Marine-grade, 20 micron anodized aluminium mast has shape & strength of a yacht mast
- Proprietary oval-shaped arms, exclusively designed connectors and central hubs
- Easy fitting to concrete or wood deck with spigot, optional in ground fitting available
- Innovative external winder mechanism with internal treated, galvanized cables

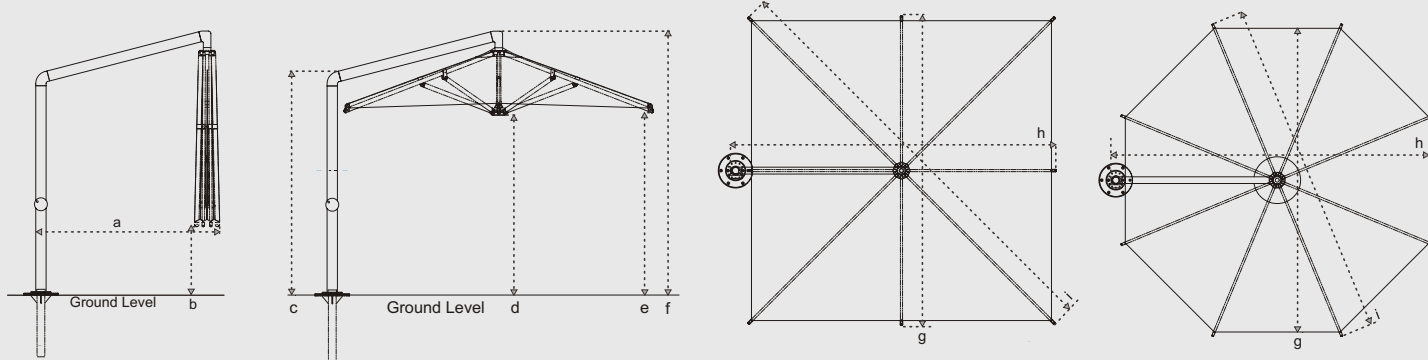
### the canopy

We only use premium European outdoor fabrics which have been tested in the harsh NZ climate. Our 100% acrylic canvas is Teflon-coated and guaranteed for 5 years against fade, rot and material breakdown. The superior coating is highly water-repellent and all threads are marine grade and UV resistant. We have more than 50 stunning solid colours, stripes and one-of-a-kind patterns available.

### optional accessories

Screen printing/branding available, cover bags, valances, special fabrics, multilocation base plates and flame retardant fabrics.





## Dimensions

\*all measurements are rounded and are subject to change.

### Dimensions of closed umbrella

	2.5squ	3.0squ	3.0oct	3.5oct	4.0oct
a: Outside of mast to outside of arms (cm)	155	180	180	195	210
b: Height of arms off ground (cm)	75	30	100	80	75

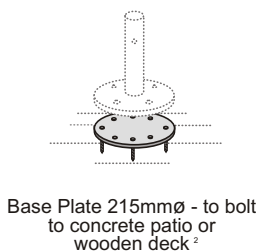
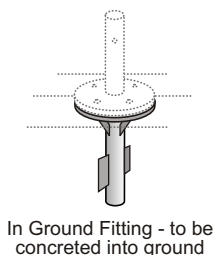
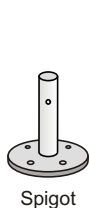
### Dimensions of open umbrella

c: Mast height including elbow (cm)	242	252	233	242	252
d: Hub above ground (cm)	204	206	206	213	214
e: Arms above ground (cm)	210	211	211	218	217
f: Total overall height (cm)	281	285	273	288	302
g: Flat edge to flat edge of canopy (cm)	250	293	273	322	362
h: Outside mast to outside opposite edge (cm)	265	320	305	335	385
i: Tip to tip diameter (measured across) (cm)	356	445	300	336	403

### Packaging dimensions

Dimensions of cardboard packaging (cm)	23x46x2540	23x46x2640	23x46x2440	23x46x2540	23x46x2640
--	------------	------------	------------	------------	------------

### Base and Installation Options



## Classic Colour Range<sup>1</sup>

Black  
R-103



Ecru  
R-117



Sailor's Navy  
R-170



Taupe  
R-127



Smoke Tweed  
R-770



Toast  
R-100



1. Fabric colours may vary slightly from printed swatches shown above  
2. Specific suitability to be determined by installer

Your Shade7 Stockist: